



In Italy, it means beautiful view. To you, a wonderful place to regain relaxed, revitalized perspective.

WHIRLPOOL BATH FEATURES:

- 4 fully adjustable PowerPro® jets
- 4 spinning neck jets
- 2 directionally adjustable AccuPro™ foot jets
- Sculpted armrest and contoured backrest
- Multi-speed motor
- 900 watt variable speed heated air blower
- Chromatherapy™ lighting system capable of 256 colors
- Wave Pulse™ system
- All-in-one electronic control panel
- Water-level sensor
- Exclusive Tru-Level™ self-leveling base system
- ProO<sub>3</sub>™ Ozone Sanitation System standard

*Detail: The Bellavista™ whirlpool bath's perfectly placed PowerPro® and AccuPro™ jets work in concert with a deeply contoured backrest to offer the ultimate in hydrotherapy.*

**Bellavista™ 5**  
SALON® SPA BATH

MODEL NUMBER:  
DT10

EXTERIOR DIMENSIONS:  
60" long x 42" wide x  
26" high

INTERIOR DIMENSIONS:  
38½" long x 23½" wide

# OF JETS/TYPE OF JETS:  
4 PowerPro® Jets  
4 AccuPro™ Neck Jets  
2 AccuPro™ Foot Jets

OPERATING GALLONS:  
80 gallons





# Bellavista™ 5 SALON® SPA BATH

**DT10** Bellavista™ 5 Salon® Spa, Right Hand

- Center Drain Location
- Accessories / Hardware:
  - PowerPro™ Jet Rings Kit: #M952
  - AccuPro™ Jet Rings Kit: #P556
  - 2 x Neck Jet Rings Kit: #P556
  - Rotary Drain Kit, 26" Cable: #8730
- Trim Kit Finishes Available:
  - (827) – Chrome
  - (898) – Brushed Chrome
  - (815) – Satin Nickel
  - (829) – Bright Brass
  - (805) – Platinum
  - (826) – Brushed Nickel
  - (849) – Oil Rubbed Bronze

## INSTALLATION NOTES

Refer to installation instructions included with fixture before beginning installation. Please confirm product availability and specifications before commencing with any installation work.

PRODUCT SPECIFICATIONS AND AVAILABILITY ARE SUBJECT TO CHANGE WITHOUT NOTICE.

## Technical Specifications

### DIMENSIONS

60" L x 42" W x 26" H  
(1524 mm) L x (1067 mm) W x (660 mm) H

### DRAIN/OVERFLOW

A: 20" (508 mm) B: 11-3/4" (298 mm)

### CUTOUT

Template Provided P/N P187000

### TOTAL WEIGHT

1025 lb (465 kg) / 59 lb/ft<sup>2</sup> (288 kg/m<sup>2</sup>)

### OPERATING GALLONAGE

80 U.S. Gal. (303 Liters)

### PRODUCT WEIGHT

157 lb (71 kg)

### SKIRT MOUNTING

Not Available

### ELECTRICAL SPECIFICATIONS

Requires a dedicated GFCI protected separate circuit.

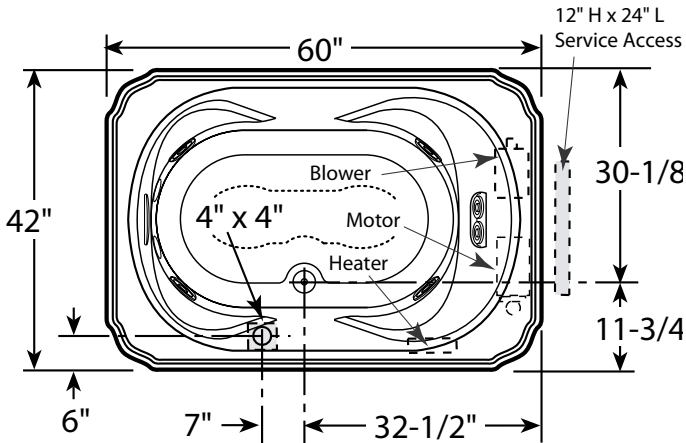
Blower: 120VAC, 20AMP, 60 Hz.

Motor/Pump and RapidHeat™: 240VAC, 20AMP, 60 Hz.

### HEATER (STANDARD)

Requires a dedicated GFCI protected separate circuit.

RapidHeat™: P/N BN60000



Product Shown: Bellavista® 5 Salon® Spa Right Hand (DT10) Shown.

\* Measurements inside unit represent cutout in floor to allow for drain/overflow.

Minimum Service Access dimensions given.

